

Primary 2  
English Language

Listening

4

**Instructions:**

學生須知：

1. There are 6 pages in this Question-Answer Booklet. Answer all questions.  
本卷共有 6 頁，全部題目均須作答。
2. Time allowed is about 20 minutes.  
評估時限約為 20 分鐘。
3. Write your Name, Class and Class Number in the boxes below.  
在下面的方格內填寫你的姓名、班別及班號。

**Instructions for answering questions:**

作答說明：

**Multiple Choice Questions** — Blacken the circle next to the correct answer with an **HB pencil**. For example:

選擇題 — 選出正確的答案，並用 **HB** 鉛筆把該選項的圓圈塗黑和塗滿，如：

- A.                      or                      ● A.      ○ B.  
○ B.                      or                      ○ C.      ○ D.  
○ C.                      or                      ○ C.      ○ D.  
○ D.

Part	Marks
1	/ 6
2	/ 6
3	/ 7

Total:  / 19  
Score for achieving BC: 13

Name   
學生姓名

Class     
班別 2

Class No.    
班號

Part 1



Track 08

***Kenny's teacher, Miss Wong, is reading a story to her class. This story is about Sam.***

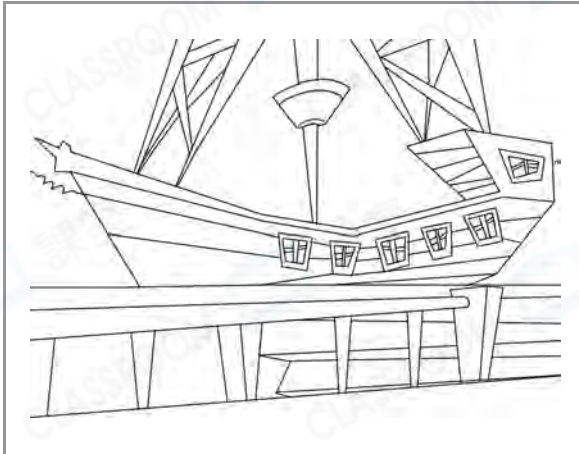
Listen to the story.

Choose the best answer by blackening the circle.

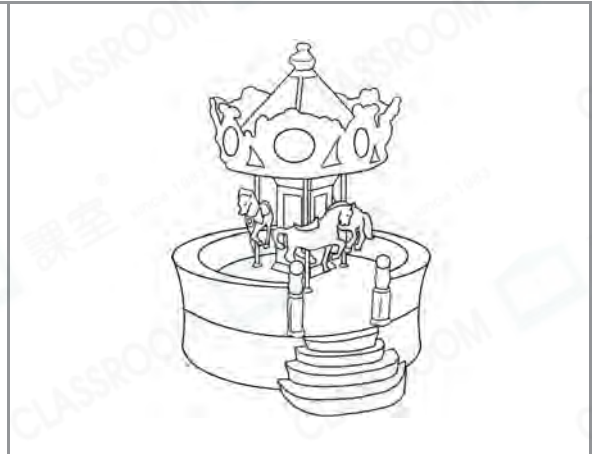
1. Where does Sam go?

- A. a funfair
- B. a computer shop
- C. a playground
- D. a computer centre

2. What do the children go on first?



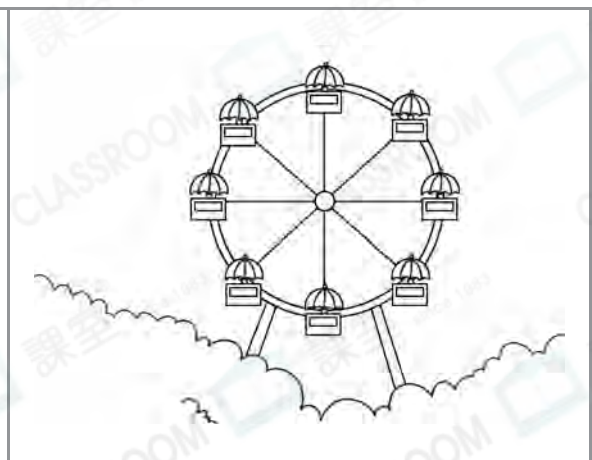
A.



B.



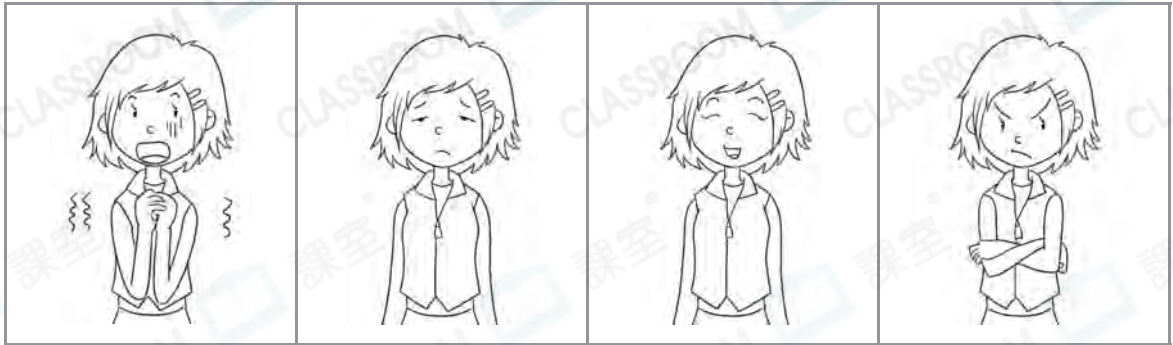
C.



D.

Please do not write in the margin.  
請勿在此書寫。

3. How does Lucy feel about going on the rides?



A.

B.

C.

D.

4. What does Lucy do?



A. goes to the toilet

B. goes on a ride

C. buys a hot dog

D. buys a gift

5. When do the children leave Fun Land?

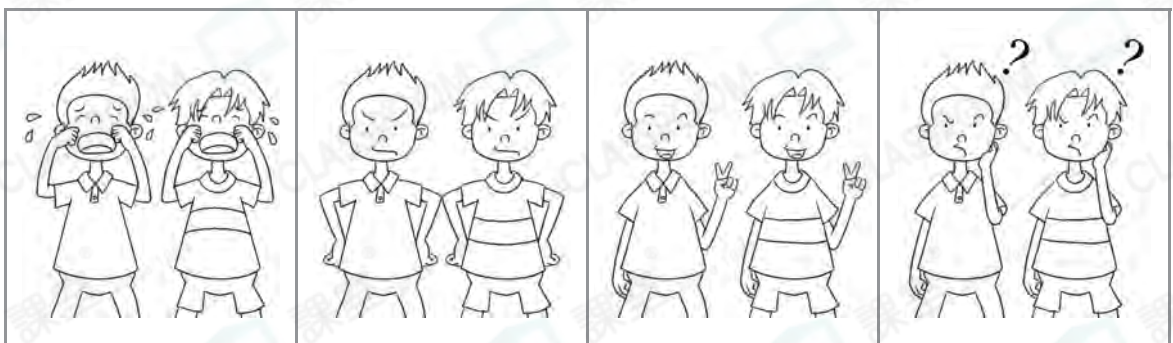
A. 5:00 pm

B. 5:30 pm

C. 6:00 pm

D. 6:30 pm

6. How do Sam and Peter feel at the end of the story?



A.

B.

C.

D.

Please do not write in the margin.  
請勿在此書寫。

Part 2



Track 09

***Kenny telephones his mother.***

Listen to the conversation.

Choose the best answer by blackening the circle.

1. Where does Kenny want to go?

- A. Nick's home
- B. Mick's home
- C. Dick's home
- D. Rick's home

2. How does Mum feel?



A.

B.



C.

D.

Please do not write in the margin.  
請勿在此書寫。

3. What time must Kenny go home?

- A. 6:15 pm
- B. 6:50 pm
- C. 7:15 pm
- D. 7:50 pm

4. Kenny says, 'Yes, no problem!'



What does he mean?

- A. He knows how to do his homework.
- B. He does not have any homework to do.
- C. He will do his homework when he gets home.
- D. He will not do his homework when he gets home.

5. What is Nick's phone number?

- A. 5183 8315
- B. 5138 3851
- C. 5138 8315
- D. 5183 3815

6. What does Mum mean in the end?



- A. They have dinner at home.
- B. They go to a restaurant for dinner.
- C. Kenny cooks his dinner.
- D. They don't have dinner.

Please do not write in the margin.  
請勿在此書寫。

Part 3



Track 10

*Kenny is asking his sister, Mary, to fill in a library form.*

Listen to the conversation.

Choose the best answer by blackening the circle.

**Public Library Form**

1. **Name:**             A. Kenny Tong             B. Kenny Fong  
                          C. Kenny Kong             D. Kenny Wong

**School Name:** Hong Kong Primary School

2. **Level:**             A. P.1             B. P.2             C. P.3             D. P.4
3. **Date of Birth:**     A. 8 November             B. 17 November  
                          C. 18 November             D. 18 December

**Home Address:**

4. **Flat:**             A. A             B. B             C. C             D. D

**Floor:** 3<sup>rd</sup>

5. **Building:**         A. Sammy House             B. Sunny House  
                          C. Sandy House             D. Summer House

**Street:** King's Street

6. **Parent's Name:**  A. Nancy Wong             B. Polly Wong  
                          C. Susie Wong             D. Candy Wong

7. **Telephone No.:**  A. 9664 0522             B. 9646 5002  
                          C. 9664 2205             D. 9664 5022

END OF PAPER

Please do not write in the margin.  
請勿在此書寫。