

Primary 3  
English Language

Listening

4

**Instructions:**

學生須知：

1. There are 8 pages in this Question-Answer Booklet. Answer all questions.  
本卷共有 8 頁，全部題目均須作答。
2. Time allowed is about 20 minutes.  
評估時限約為 20 分鐘。
3. Write your Name, Class and Class Number in the boxes below.  
在下面的方格內填寫你的姓名、班別及班號。

**Instructions for answering questions:**

作答說明：

**Multiple Choice Questions** — Blacken the circle next to the correct answer with an **HB pencil**. For example:

選擇題 — 選出正確的答案，並用 **HB** 鉛筆把該選項的圓圈塗黑和塗滿，如：

- A.                      or                       A.       B.  
 B.                      or                       C.       D.  
 C.                      or                       C.       D.  
 D.

Part	Marks
1	/ 8
2	/ 7
3	/ 6

Total:  / 21

Score for achieving BC: 15

Name   
學生姓名

Class     
班別 3

Class No.    
班號

Part 1



Track 07

**Billy calls his mother.**

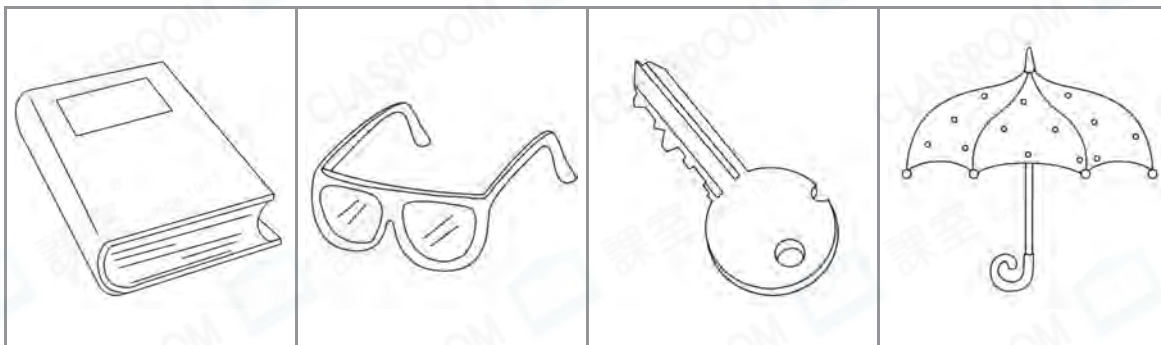
Listen to the conversation.

Choose the best answer by blackening the circle.

1. Billy phones his mum at about \_\_\_\_\_.

- A. 10:00 am
- B. 12:30 pm
- C. 4:00 pm
- D. 7:30 pm

2. What will Billy's mum bring him?



- A.
- B.
- C.
- D.

3. Where will Mum meet Billy?

- A. in the school library
- B. at the tuck shop
- C. outside the school gate
- D. at the car park

4. What will Billy need to do after school?

- A. watch a film
- B. return a book
- C. take a test
- D. buy a book

Please do not write in the margin.  
請勿在此書寫。

5. What is the weather like this week?



A.

B.

C.

D.

6. Who is making a hotpot dinner?

A. Aunt Betty

B. Aunt Patty

C. Aunt Bessy

D. Aunt Penny

7. Where is Billy's school?

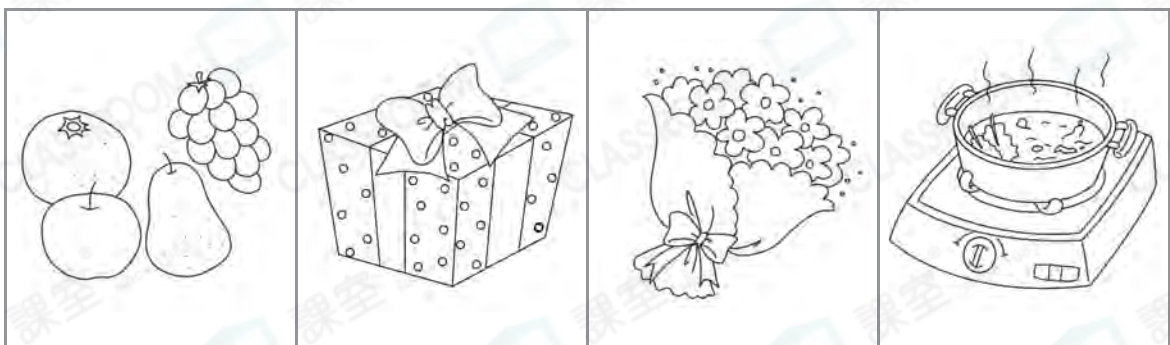
A. Chai Wan

B. Ma Wan

C. Wan Chai

D. Tai Wai

8. What will Billy and his mum buy?



A.

B.

C.

D.

Please do not write in the margin.  
請勿在此書寫。

Part 2



Track 08

Billy's teacher, Miss Wong, is reading a story to her class. This story is about Boo.

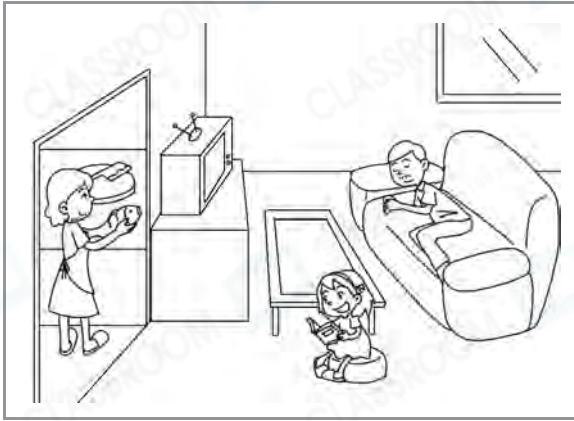
Listen to the story.

Choose the best answer by blackening the circle.

1. What festival is the family celebrating?

- A. Chinese New Year
- B. Easter
- C. the Mid-Autumn Festival
- D. Christmas

2. What is everyone doing?



A.



B.



C.



D.

Please do not write in the margin.  
請勿在此書寫。

3. How does Boo feel?



A.

B.

C.

D.

4. Who puts the Christmas lights on the tree?

A. Mum

B. Dad

C. Boo

D. Santa Claus

5. How does Mum feel when she comes out of the kitchen?



A.

B.



C.

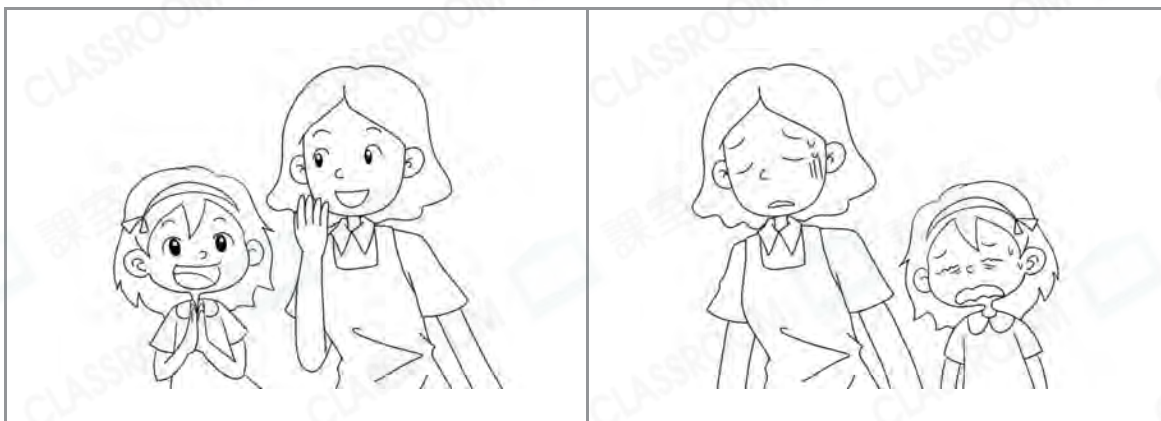
D.

Please do not write in the margin.  
請勿在此書寫。

6. What does Dad say?

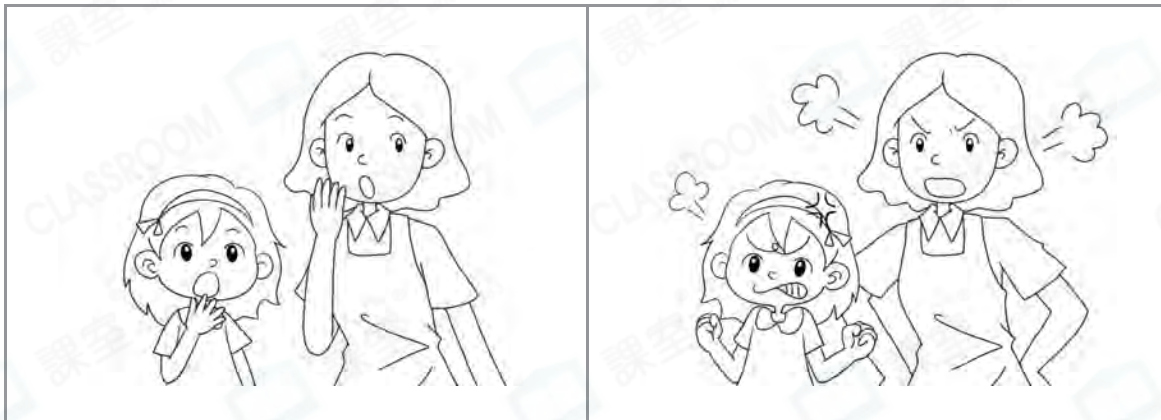
- A. 'Please cook the chicken again.'
- B. 'I'm so angry.'
- C. 'Let's eat out in a restaurant.'
- D. 'Help me fix the power.'

7. How do Mum and Boo feel at the end of the story?



A.

B.



C.

D.

Please do not write in the margin.  
請勿在此書寫。

Part 3



Track 09

Billy and Jane are talking about the school Sports Day.

Listen to the conversation.

Choose the best answer by blackening the circle.

1. When is the school Sports Day?

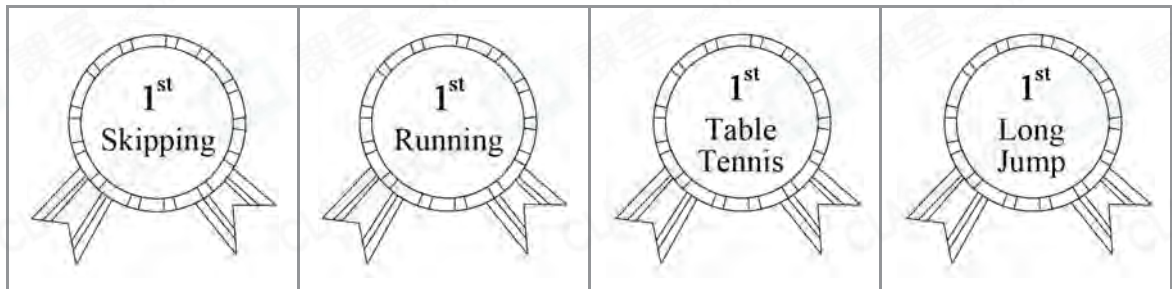
A. on Monday

B. on Wednesday

C. on Thursday

D. on Saturday

2. What did Billy get last year?



A.

B.

C.

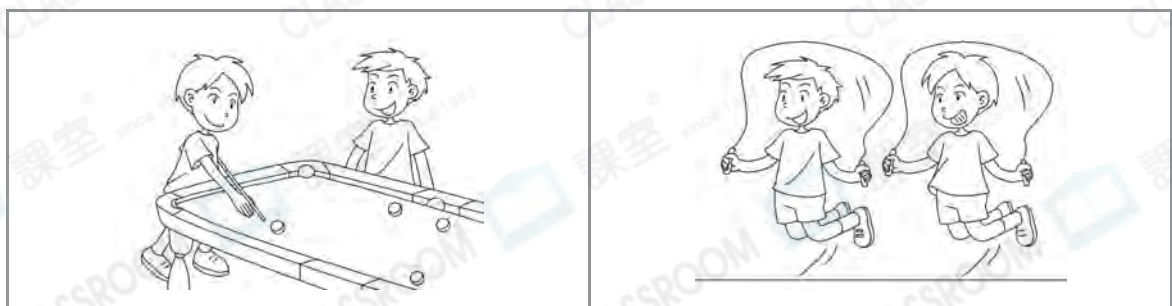
D.

3. Which game is new this year?



A.

B.



C.

D.

Please do not write in the margin.  
請勿在此書寫。

4. Why **CAN'T** Billy join the new game?

- A. He is too old.
- B. There are no more places.
- C. He is busy on that day.
- D. He does not have any money.

5. Which teacher will help lead the cheering team?

- A. Miss Tang
- B. Miss Pang
- C. Miss Tsang
- D. Miss Wang

6. How does Jane feel about the school Sports Day?



- A. afraid
- B. worried
- C. nervous
- D. excited

**END OF PAPER**

Please do not write in the margin.  
請勿在此書寫。